

**FERRARI**  
by **Logic3**



support@ferrari-by-logic3.com

www.ferrari-by-logic3.com

Logic3 plc, Rhodes Way, Watford, WD24 4YW, UK

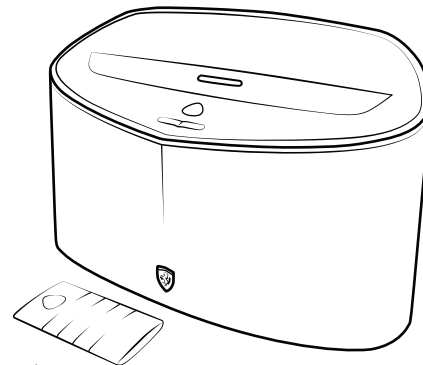
Logic3 plc & Logic3 International Ltd. of Watford UK are the owners of the Logic3 registered trademark. Logic3 own registered and unregistered design rights and copyright subsisting in various products within its range.

FERRARI, the PRANCING HORSE device, all associated logos and distinctive designs are trademarks of Ferrari S.p.A. The body designs of the Ferrari cars are protected as Ferrari property under design, trademark and trade dress regulations.

All other trademarks, copyrights and trade names are registered properties of their respective owners. Logic3 are continually updating their products in the interest of improving the quality and design. Copyright in this manual is owned by Logic3 International Ltd. Rhodes Way.

**FERRARI**  
by **Logic3**

## SCUDERIA FS1 AIR AIRPLAY & BLUETOOTH SPEAKER DOCK

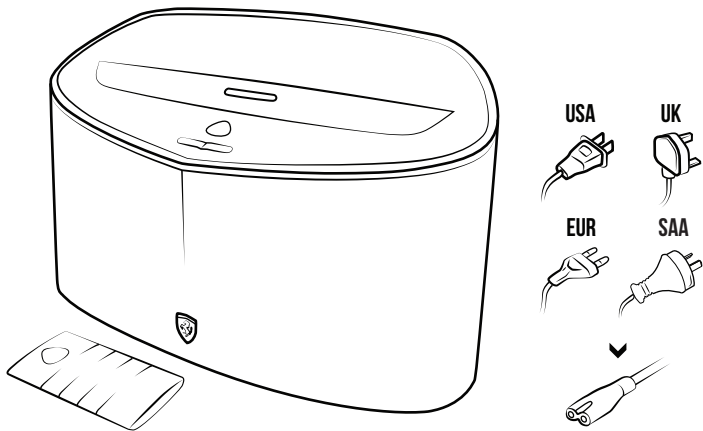


- EN** Quick Start Guide
- FR** Guide de démarrage rapide
- DE** Kurzanleitung
- IT** Guida d'avviamento rapido
- NL** Snelle Start Handleiding
- ES** Guía rápida de inicio
- PT** Guia di arranque rápido
- RU** Краткое руководство по эксплуатации
- PL** Skrócona instrukcja obsługi
- RO** Scurt ghid de utilizare
- CZ** Uživatelská příručka
- SK** Používateľská príručka
- SL** Kratka navodila za uporabo
- JP** クイックスタートガイド
- KR** 빠른 시작 설명서
- CN** 快速入门指南
- TW** 快速入門指南

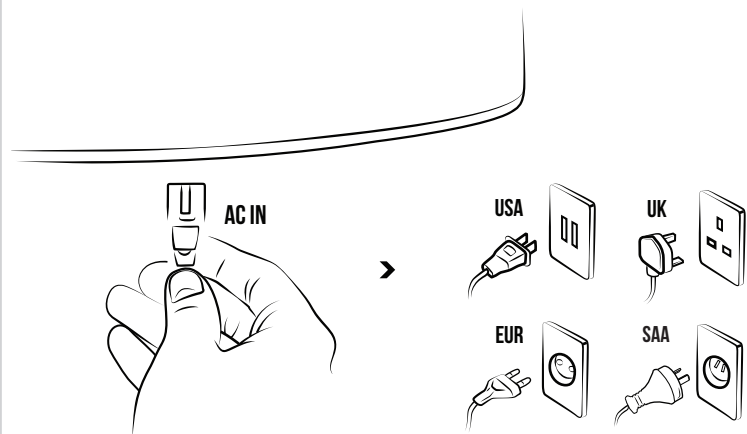
**THE SCUDERIA FERRARI COLLECTION**

**Ferrari**  
OFFICIAL LICENSED PRODUCT

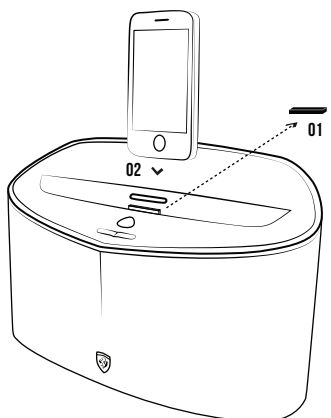
1



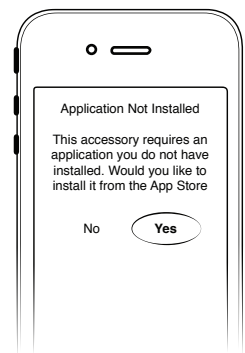
2



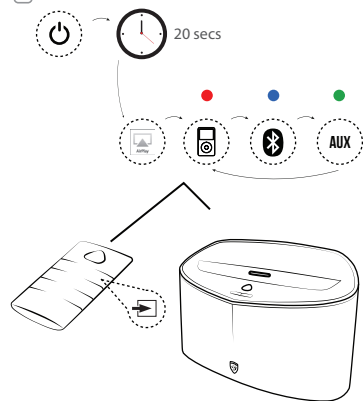
3



4



5



6

